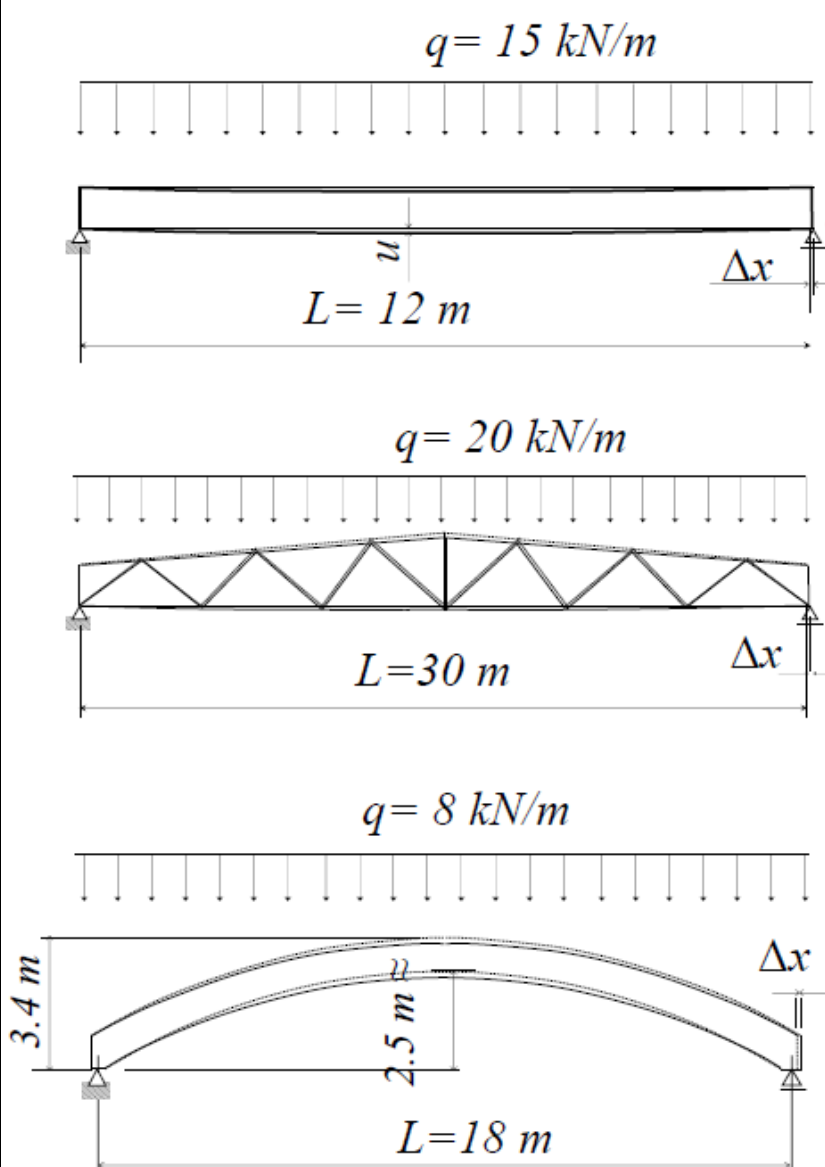


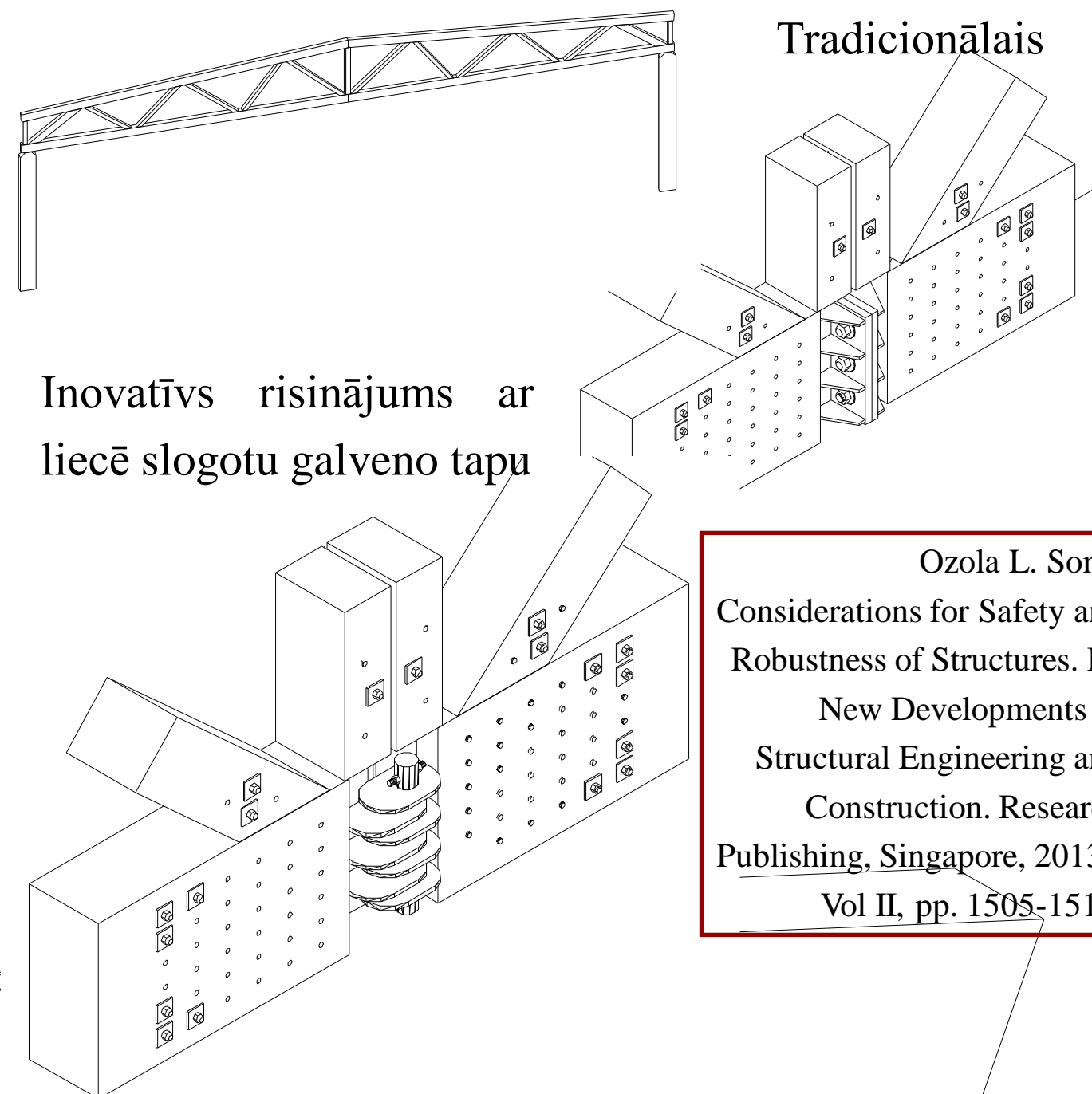
Kustīgās locīklas nozīme balstmezglā



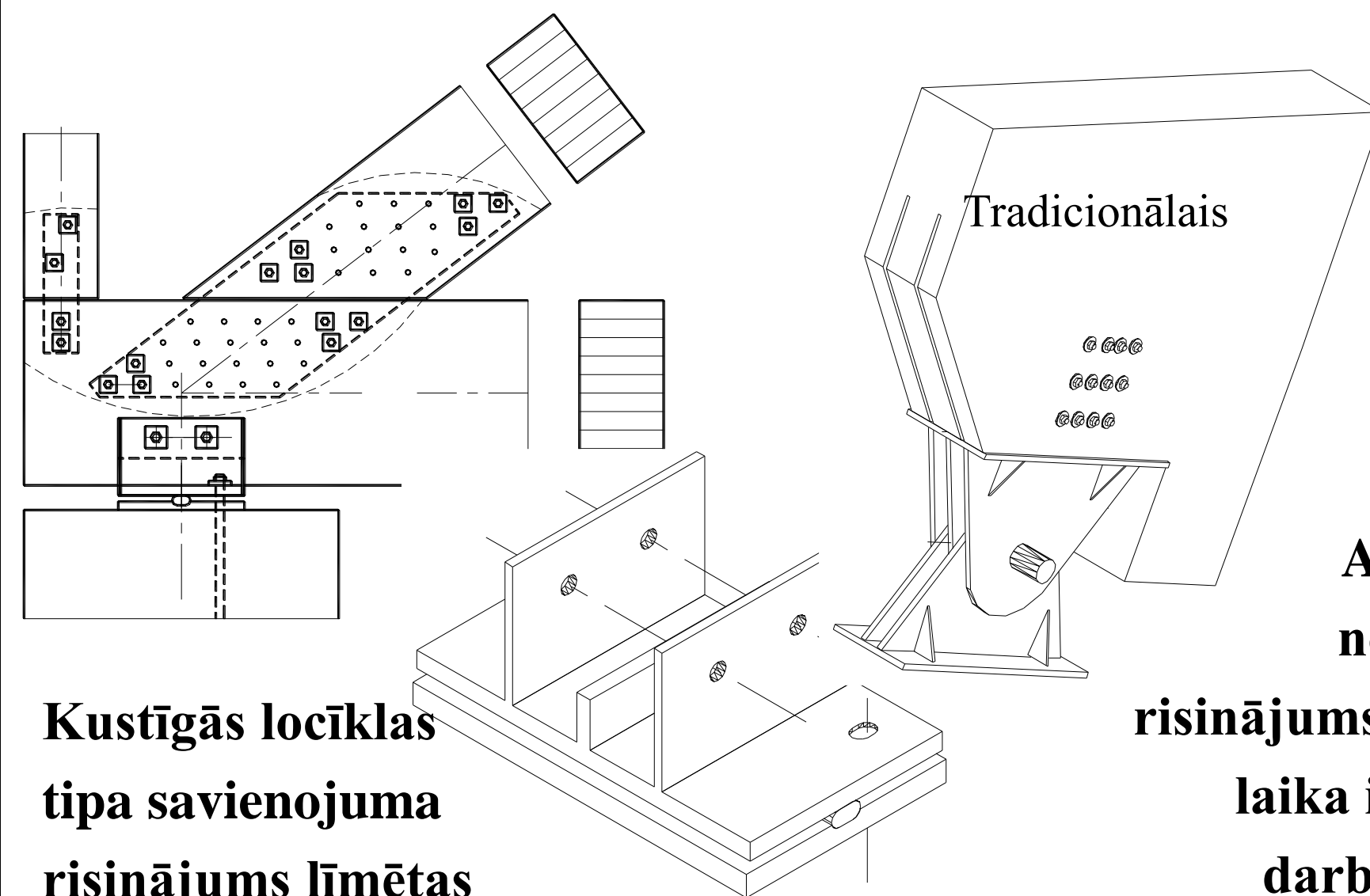
Brīvais pārvietojums kustīgā locīklā un reaktīvais spēks nekustīgā locīklā

Konstrukcijas variants	Δx , mm ($F_x = 0$)	F_x , kN ($\Delta x = 0$)
Līmētā sija ($L = 12 \text{ m}$), deformētā shēma	0.5	68
Tērauda sija (IPE profils), deformētā shēma	0.7	134
Līmētā koka kopne	14	629
Liekti līmēta sijas tipa konstrukcija	60	113

Kopnes stieptās apakšjoslas montāžas savienojuma risinājumi

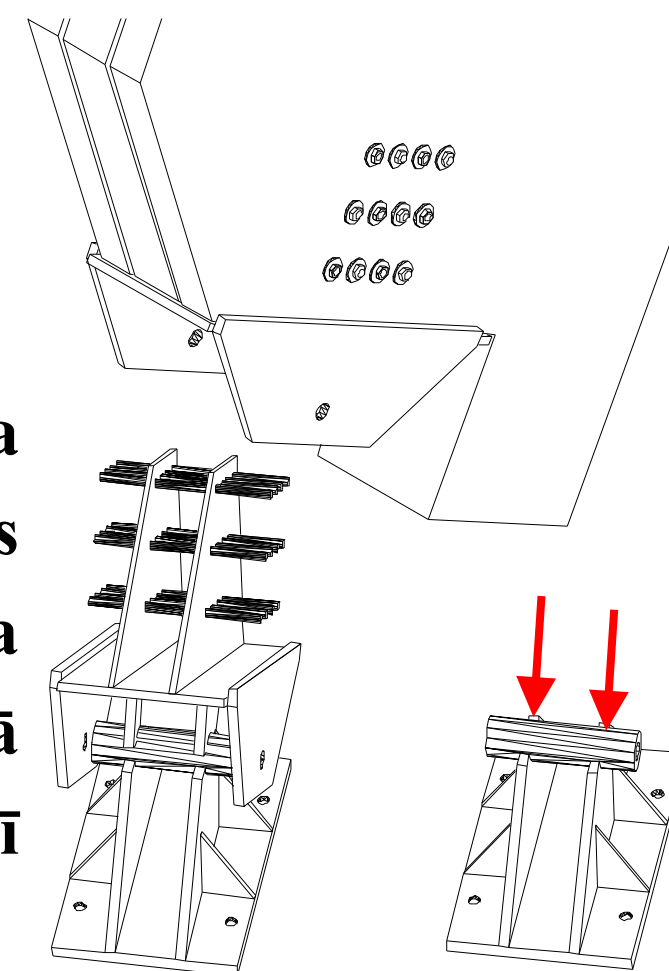


Ozola L. Some Considerations for Safety and Robustness of Structures. In: New Developments in Structural Engineering and Construction. Research Publishing, Singapore, 2013.- Vol II, pp. 1505-1510.



Kustīgās locīklas tipa savienojuma risinājums līmētas kopnes balstmezglā

Arkas balstmezglas nekustīgās locīklas risinājums, kam raksturīga laika ietilpīga plastiskā darbība robežstāvoklī



Ziņojumi konferencēs un publikācijas par tēmu

Publikācijas rakstu krājumos par tēmu:

Ozola L. Some Considerations for Safety and Robustness of Structures/ New Developments in Structural Engineering and Construction. Editors: Siamak Yazdani and Amarjit Singh. Research Publishing, Singapore, 2013.- Vol. II, pp. 1505-1510.

Ozola L. Reasoning on Structural Timber Design for Target Reliability. In: Challenges, Opportunities and Solutions in Structural Engineering and Construction: Proceedings of the 5th International Structural Engineering and Construction Conference ISEC-5, Las Vegas, USA, 22-25 September 2009. Editor Nader Ghafoori. CRC Press/ A Balkema Book.- pp. 405-410.



The Scientific-Practical Conference Sustainable Development of Hydraulic and Agricultural Construction

Kaunas, 1st April, 2016



The Seventh International Structural Engineering and Construction Conference
New Developments in Structural Engineering and Construction
Honolulu, June 18 - 23, 2013

Consideration on Safety and Reliability of Bearing Structures

Некоторые аспекты надежности и безопасности несущих конструкций

Report by Lilita Ozola,

Latvia University of Agriculture, Faculty of Environment and Civil Engineering, Department of Structural Engineering

SOME CONSIDERATIONS FOR SAFETY AND ROBUSTNESS OF STRUCTURES

Lilita Ozola

Asoc. Prof., Dr.Sc.ing.

*Department of Structural Engineering
Latvia University of Agriculture*

Department of
Structural Engineering
Faculty of Rural Engineering
19-707 Akademijas Str
Jelgava, LV-3001, LATVIA
E-mail : lit1oak@llu.lv
Lilita.Ozola@llu.lv